

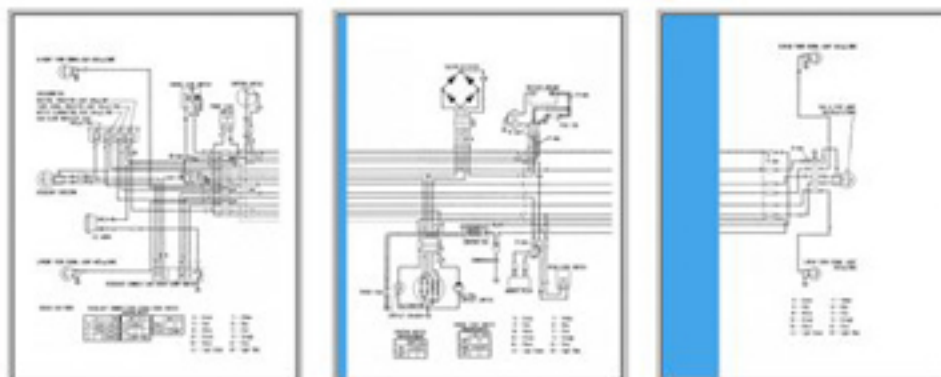
Trying to read and printout wiring diagrams from a file on the internet has always had a problem with the details not really being "readable" due to the small size of the finished document. And, making larger documents where you could see the details, meant that the document was too large to print on a normal 8.5" x 11" piece of paper.

I believe this problem has been solved by enlarging the wiring diagram where it could be cut apart into multiple sections, with each section made into a full size 8.5" x 11" page and then put into an Adobe Acrobat PDF document that any computer can open and that you print out on your home printer on regular 8.5" x 11" paper.

You will need to trim off the LEFT MARGIN (shown in BLUE, below) of any pages of the wiring diagram to the right of the first page and tape each page together (both front & back), aligning the drawings as needed. Your result is to produce a BIG wiring diagram, where you can see the details.

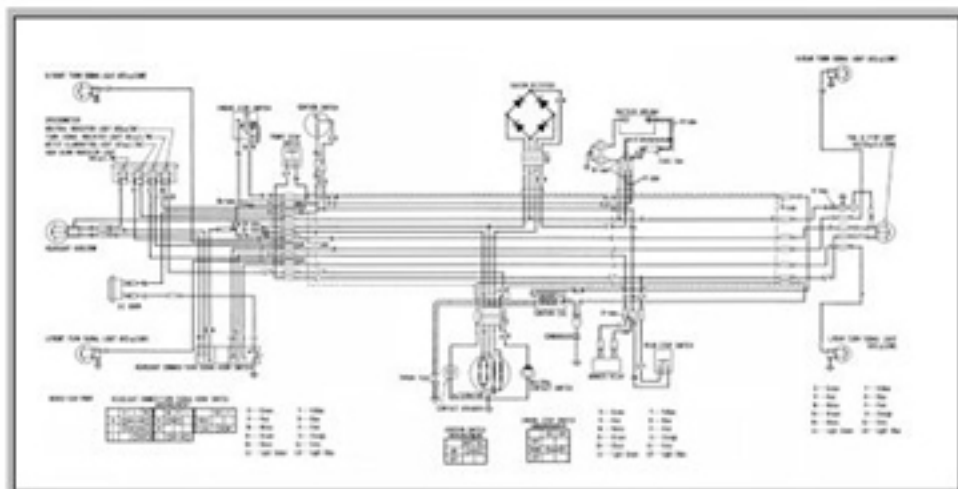
Please be aware that your printer, as many do, may pull the paper at a slight angle (instead of perfectly straight) and thus "skew" the drawing on each individual page (this may prompt you to trim the top and bottom edges of the Big wiring diagram after everything is taped together).

Here's what the wiring diagram might look like as individual pages once they are printed...



Trim off the BLUE areas (shown above, not actually blue in your printout), right up to the edge of the wiring diagram and then tape the pages together (both front & back).

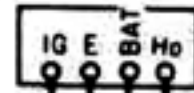
And, here is the BIG wiring diagram, after being taped together by you.



COMBINATION SWITCH

	IG	E	BAT	Ho
OFF	●—●			
ON			●—●	
COLOR	B/W	G	R	B

COMBINATION SWITCH

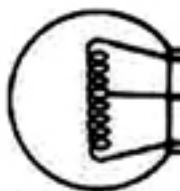


B/W G R B

NEUTRAL INDICATOR (12V3W)



B/Br



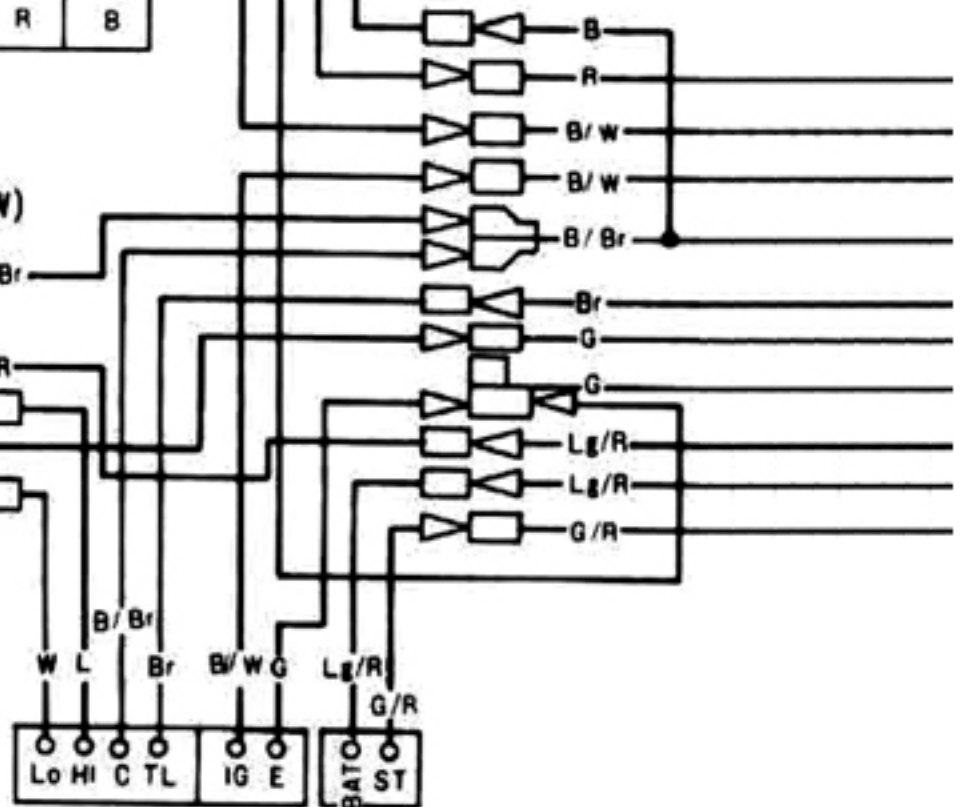
HEADLIGHT (12V45/45W)

Lg/R

L

G

W



STARTER SWITCH

LIGHTING • ENGINE STOP SWITCH

LIGHTING SWITCH

	TL	C	Lo	Hi
OFF				
Lo	●—●—●			
(N)	●—●—●—●			
Hi	●—●—●			
COLOR	Br	B/Br	W	L

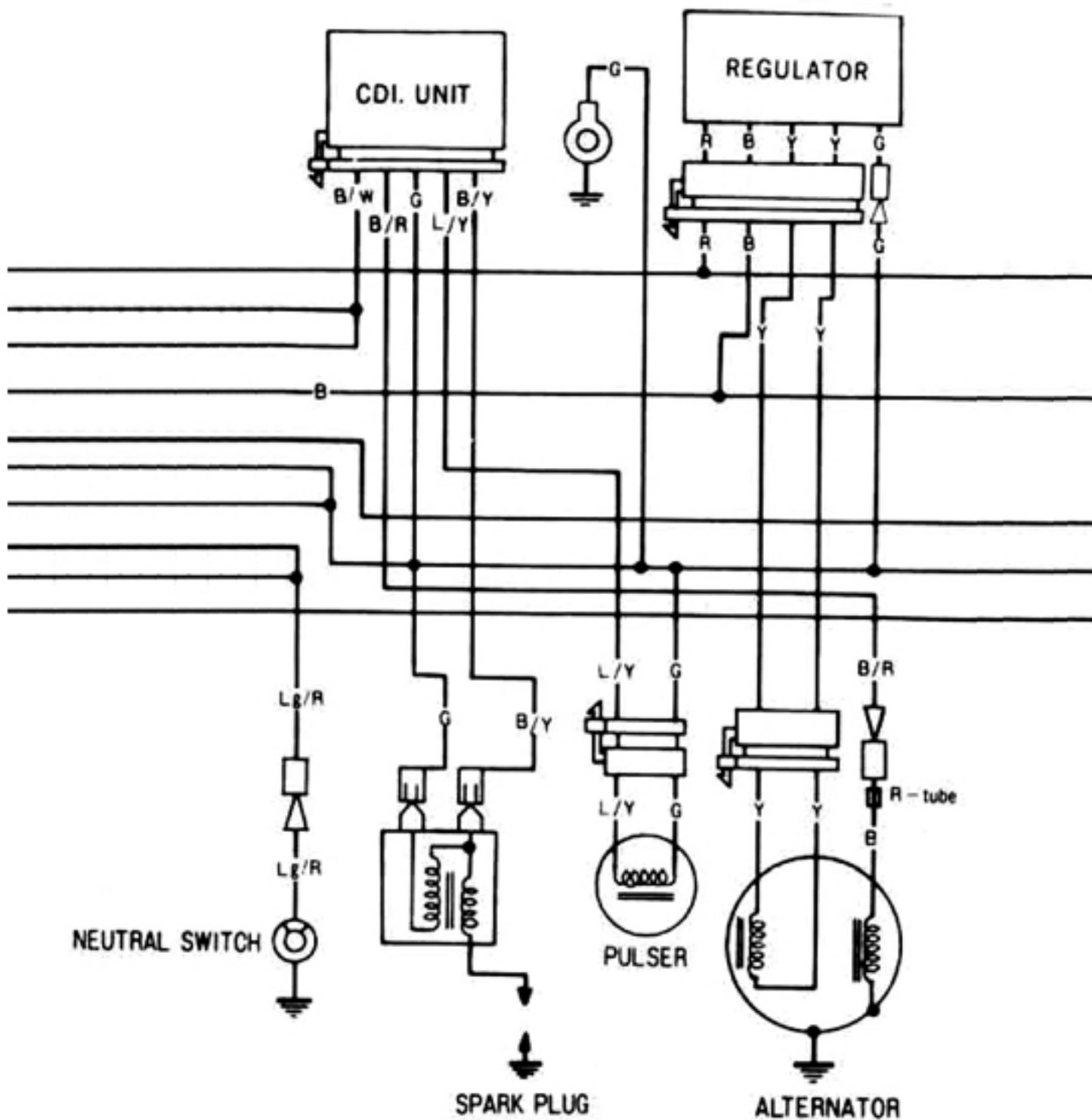
ENGINE STOP SWITCH

	IG	E
OFF	●—●	
RUN		
COLOR	B/W	G

STARTER SWITCH

	ST	BAT
FREE		
PUSH	●—●	
COLOR	G/R	Lg/R

ATC 125 M, 1985
from
Honda Shop Manual



B	Black	Br	Brown
Y	Yellow	O	Orange
L	Blue	Lb	Light blue
G	Green	Lg	Light green
R	Red	P	Pink
W	White	Gr	Gray

